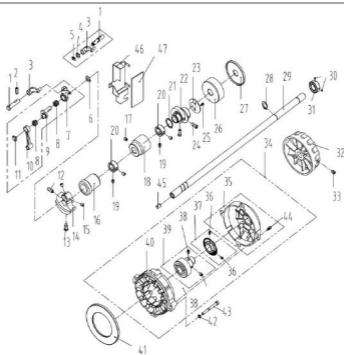


#### 1. 机壳、外装部件/Machine Frame & Miscellaneous Cover Components

| 序号 NO | 公司件号 Part NO | 名称 PartName             | 零件描述 Description             | 数量 Number |
|-------|--------------|-------------------------|------------------------------|-----------|
| 1     | 101511001    | 螺钉SM3/16"×28 L=9        | Screw SM3/16"×28 L=9         | 14        |
| 2     | 10122003     | 面板调节孔橡胶塞                | Rubber plug                  | 2         |
| 3     | 13837002     | 商标牌                     | Head card                    | 1         |
| 4     | 115012025    | 面板                      | Face plate asm               | 1         |
| 5     | 930000740    | 面板(喷漆)                  | Face plate asm               | 1         |
| 6     | 101511007    | 螺钉SM11/64"×40 L=6       | Screw SM11/64"×40 L=6        | 1         |
| 7     | 13813005     | 左线钩                     | Thread guide left            | 1         |
| 8     | 115022005    | 面板垫                     | Face plate gasket            | 1         |
| 9     | 101511027    | 螺钉SM1/8"×44 L=3.4       | Screw SM1/8"×44 L=3.4        | 1         |
| 10    | 113812019    | 面部防油板                   | Face oil shield asm          | 1         |
| 11    | 11412082     | 面部防油板(厚料)               | Face oil shield asm (H)      | 1         |
| 11    | 11503007200  | 倒缝开关组件(三开关)             | Three switch components      | 1         |
| 12    | 101511026    | 螺钉SM15/64"×28 L=9       | Screw SM15/64"×28 L=9        | 1         |
| 13    | 101511004    | 螺钉SM3/16"×28 L=7        | Screw SM3/16"×28 L=7         | 3         |
| 14    | 10122005     | 挑线连杆销橡胶塞                | Rubber plug                  | 2         |
| 15    | 10122004     | 针杆曲柄橡胶塞                 | Rubber plug                  | 1         |
| 16    | 13812018     | 挑线杆防护罩                  | Thread take-up lever cover   | 1         |
| 17    | 13512004     | 三孔线钩                    | 3-hole thread guide          | 1         |
| 18    | 13822001     | 操作按钮                    | Rubber plug                  | 2         |
| 19    | 138505001    | 螺钉M3 L=12               | Screw M3 L=12                | 2         |
| 20    | 114511015    | 螺钉SM9/64"×40 L=6        | Screw SM9/64"×40 L=6         | 2         |
| 21    | 20722002     | 油塞                      | Rubber plug                  | 1         |
| 22    | 113811004    | 尼龙孔带                    | Cable band                   | 5         |
| 23    | 115012024    | 后窗板                     | Side plate                   | 1         |
| 24    | 115022004    | 后窗板垫                    | Side plate gasket            | 1         |
| 25    | 930000739    | 后窗板(喷漆)                 | Side plate                   | 1         |
| 26    | 11503007300  | 一体机电控组件(新电控)            | Electronic control asm (N)   | 1         |
| 27    | 114513001    | 螺栓(内六角)M5 L=20          | Screw M5 L=20                | 3         |
| 28    | W01009       | 垫圈 5                    | Washer 5                     | 5         |
| 29    | 114530001    | 螺栓(内六角)M5×25            | Screw M5×20                  | 2         |
| 30    | 11503007400  | 一体机电控面板组件(新电控)          | Control panel (N)            | 1         |
| 31    | 10122007     | 孔塞                      | Rubber plug                  | 1         |
| 32    | 101512001    | 底板支柱                    | Machine head stud            | 4         |
| 33    | 10122110     | 橡胶塞(单孔)                 | Rubber plug                  | 1         |
| 34    | 138508006    | 螺钉SM3/16"×28 L=7        | Screw SM3/16"×28 L=7         | 1         |
| 35    | 13810008     | 小夹线器螺钉                  | Thread tension post          | 1         |
| 36    | 13812066     | 过线板                     | Thread tension guide plate   | 1         |
| 37    | 14112017     | 小夹线板                    | Thread tension disk          | 2         |
| 38    | 11227001     | 小夹线弹簧                   | Thread tension spring        | 1         |
| 39    | 141516019    | 小夹线器螺母                  | Thread tension nut           | 1         |
| 40    | 1411300400   | 小夹线器组件                  | Thread tension asm           | 1         |
| 41    | 1411300300   | 夹线器组件                   | Thread tension asm           | 1         |
| 41    | 1411300500   | 夹线器组件(厚料)               | Thread tension asm (H)       | 1         |
| 42    | 141516013    | 夹线螺母                    | Thread tension nut           | 1         |
| 43    | 10112007     | 夹线制动板                   | Thread disk rotating stopper | 1         |
| 44    | 10127002     | 夹线弹簧                    | Thread tension spring A      | 1         |
| 44    | 11427050     | 夹线弹簧(厚料)                | Thread tension spring A (H)  | 1         |
| 45    | 14112016     | 松线板                     | Disk stopper                 | 1         |
| 46    | 10127001     | 挑线簧                     | Thread take-up spring        | 1         |
| 46    | 10127031     | 挑线簧(厚料)                 | Thread take-up spring (H)    | 1         |
| 47    | 14112015     | 夹线板                     | Thread tension disk          | 2         |
| 48    | 141530001    | 夹线螺钉                    | Thread tension post          | 1         |
| 49    | 10103011     | 挑线簧调节座                  | Thread tension base          | 1         |
| 50    | 10122014     | 挑线簧调节座O型圈               | Rubber ring                  | 1         |
| 51    | 11326012     | 松线钉                     | Tension release pin          | 1         |
| 51    | 10126002     | 松线钉(厚料)                 | Tension release pin (H)      | 1         |
| 52    | 101515005    | 螺钉SM9/64"×40 L=5.5      | Screw SM9/64"×40 L=5.5       | 1         |
| 53    | 10113004     | 右线钩                     | Thread guide right           | 1         |
| 54    | 101515010    | 左线钩螺钉SM15/64"×28 L=10.5 | Screw SM15/64"×28 L=10.5     | 1         |
| 55    | 11413011     | 固定式导线钩                  | Thread guide                 | 1         |
| 56    | 401516001    | 螺母SM9/64"×40            | Nut SM9/64"×40               | 1         |
| 57    | 101511002    | 卷边底座螺钉SM11/64"×40 L=5.5 | Screw SM11/64"×40 L=5.5      | 1         |
| 58    | 13812111     | 卷边底座                    | Ruler stop seat              | 1         |
|       | 11414006     | 针板                      | Needle plate                 | 1         |
| 59    | 11315001     | 针板(厚料)                  | Needle plate (H)             | 1         |
| 59    | 10815001     | 针板(-7)                  | Needle plate (-7)            | 1         |
| 59    | 13615003     | 针板(-L)                  | Needle plate (-L)            | 1         |
| 60    | 104517002    | 针板螺钉(进口) SM11/64"×40    | Screw SM11/64"×40            | 2         |
| 61    | 1023000200   | 电子夹线器组件                 | Nest less e-device           | 1         |
| 62    | 207514007    | 螺钉M4 L=6                | Screw M4 L=6                 | 1         |
| 63    | 10115002     | 推板                      | Slide plate                  | 1         |
| 64    | 10127009     | 推板簧                     | Slide plate spring           | 1         |
| 65    | 101511019    | 螺钉SM3/32"×56 L=2        | Screw SM3/32"×56 L=2         | 2         |
| 66    | 11419001     | 削线刀                     | Knife                        | 1         |

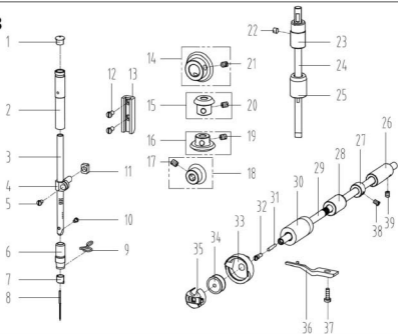
2



## 2. 上轴、挑线部件 / Main Shaft &amp; Thread Take-up Components

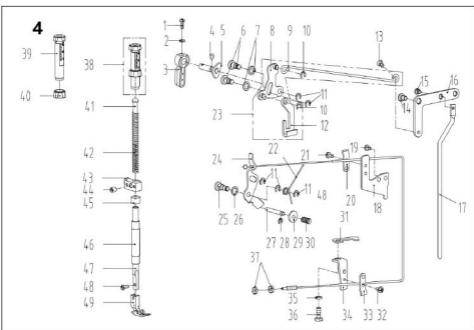
| 序号 NO | 公司件号 Part NO | 名称 PartName             | 零件描述 Description                       | 数量 Number |
|-------|--------------|-------------------------|--|-----------|
| 1     | 11326013     | 挑线连杆销(H-M)              | Thread take-up connecting rod pin(H-M) | 1         |
|       | 10126001     | 挑线连杆销(H)                | Thread take-up connecting rod pin(H)   | 1         |
| 2     | 101515001    | 螺钉SM15/64"x28 L=15      | Screw SM15/64"x28 L=15                 | 1         |
| 3     | 11305010     | 挑线连杆                    | Thread take-up connecting rod          | 1         |
|       | 10105001     | 挑线连杆(厚料)                | Thread take-up connecting rod (H)      | 1         |
| 4     | 11328010     | 垫片(H-M)                 | washer(H-M)                            | 1         |
| 5     | H05013       | GB/T 896-1986挡圈6(H-M)   | Snap ring 6 (H-M)                      | 1         |
| 6     | 10112003     | 针杆曲柄护板                  | Needle bar crank protecting plate      | 1         |
|       | 1013800100   | 挑线杆分组件                  | Thread take-up lever asm               | 1         |
| 7     | 1133800200   | 挑线杆组件(厚料)               | Thread take-up lever asm (H)           | 1         |
| 8     | 10124001     | 挑线杆滚针轴承                 | Needle bearing                         | 2         |
|       | 11310012     | 挑线曲柄分部件                 | Thread take-up crank                   | 1         |
| 9     | 1011000400   | 挑线曲柄分部件(厚料)             | Thread take-up crank (H)               | 1         |
|       | 11310010     | 挑线曲柄(H-M)               | Thread take-up crank (H-M)             | 1         |
| 10    | 10105002     | 针杆连杆                    | Needle bar connecting rod              | 1         |
| 11    | 101517001    | 螺钉SM9/64"x40 (左旋) L=4.8 | Screw SM9/64"x40 (left hand) L=4.8     | 1         |
| 12    | 101515004    | 紧固螺钉SM9/32"x28 L=16     | Screw SM9/32"x28 L=16                  | 1         |
| 13    | 101511003    | 定位螺钉SM9/32"x28 L=16     | Screw SM9/32"x28 L=16                  | 1         |
|       | 10404001     | 针杆曲柄                    | Needle bar crank                       | 1         |
| 14    | 11404035     | 针杆曲柄(厚料)                | Needle bar crank (H)                   | 1         |
|       | 11310010     | 针杆曲柄(H-M)               | Needle bar crank (H-M)                 | 1         |
| 15    | 101515002    | 螺钉SM1/4"x40 L=6         | Screw SM1/4"x40 L=6                    | 2         |
| 16    | 1140300200   | 上轴前轴套组件                 | Main shaft bushing front               | 1         |
| 17    | 101515006    | 螺钉SM15/64"x28 L=7       | Screw SM15/64"x28 L=7                  | 1         |
| 18    | 12203002     | 主轴中轴套                   | Main shaft bushing mid                 | 1         |
| 19    | 101514001    | 螺钉SM1/4"x40 L=6         | Screw SM1/4"x40 L=6                    | 4         |
| 20    | 10108001     | 上轴挡圈                    | Main shaft thrust collar               | 2         |
| 21    | H03002       | 挡圈20                    | Snap ring 20                           | 1         |
|       | 11310014     | 送料偏心轮                   | Feed eccentric cam                     | 1         |
| 22    | 400811       | 送料偏心轮(厚料, -HL)          | Feed eccentric cam (H, -HL)            | 1         |
|       | 400006       | 送料偏心轮(H-M, -7)          | Feed eccentric cam (H-M, -7)           | 1         |
| 23    | 10112017     | 送料偏心轮盖板                 | Cover plate                            | 1         |
|       | 10812002     | 送料偏心轮盖板(厚料, -HL)        | Cover plate (H, -HL)                   | 1         |
| 24    | 101511013    | 螺钉SM1/4"x40 L=13        | Screw SM1/4"x40 L=13                   | 2         |
|       | 207511018    | 螺钉M5 L=10               | Screw M5 L=10                          | 2         |
| 25    | 113511003    | 螺钉SM9/64"x40 L=5        | Screw SM9/64"x40 L=5                   | 2         |
| 26    | 13803002     | 上轴后轴套                   | The rear axle sleeve                   | 1         |
| 27    | 10122105     | 上轴后套油封                  | Oil seal                               | 1         |
| 28    | H03001       | GB/T894.1-1986挡圈15      | Snap ring 15                           | 1         |
| 29    | 10202002     | 上轴                      | Main shaft                             | 1         |
| 30    | S10013       | GB/T80-1985螺钉M6 L=6     | Screw M6 L=6                           | 2         |
| 31    | 10208001     | 电机防尘罩                   | Motor dust jacket                      | 1         |
| 32    | 302830       | 手轮(喷漆)                  | Handwheel                              | 1         |
| 33    | S10009       | 螺钉M6 L=8                | Screw M6 L=8                           | 2         |
| 34    | 10233034     | 光电伺服电机(众邦)              | Motor (Z)                              | 1         |
| 35    | 95111049     | 电机罩壳组件                  | Motor cover asm                        | 1         |
| 36    | S09022       | 螺钉M3 L=4                | Screw M3 L=4                           | 2         |
| 37    | 95100116     | 电机光栅组件 (A2)             | Motor grating sensor asm               | 1         |
| 38    | S09113       | 螺钉M6 L=6                | Screw M6 L=6                           | 2         |
| 39    | 95300004     | 电机转子总成                  | Motor rotor                            | 1         |
| 40    | 95300005     | 电机定子总成                  | Motor stator                           | 1         |
| 41    | 13811060     | 电机绝缘防护罩                 | Motor insulation shield                | 1         |
| 42    | W02058       | GB 93-1987弹垫d5          | Spring washer 5                        | 3         |
| 43    | 951515010    | 螺钉M5 L=20               | Screw M5 L=20                          | 3         |
| 44    | 951515016    | 螺钉组合件M4 L=28            | Screw asm M3 L=28                      | 4         |
| 45    | 10122012     | 上轴孔塞                    | Rubber plug                            | 1         |
| 46    | 115012007    | 防油罩                     | Oil shield                             | 1         |
| 47    | 14123001     | 防油罩油棉                   | Oil cotton                             | 1         |

3



### 3. 针杆、竖轴、下轴部件/Needle bar & Upright Shaft & Hook Driving Shaft Components

| 序号 NO | 公司件号 Part NO | 名称 PartName         | 零件描述 Description                     | 数量 Number |
|-------|--------------|---------------------|--------------------------------------|-----------|
| 1     | 10122013     | 针杆上衬套孔塞             | Rubber plug                          | 1         |
| 2     | 14103009     | 针杆上衬套               | Needle bar bushing upper             | 1         |
| 3     | 10103009     | 针杆上衬套(厚料)           | Needle bar bushing upper (H)         | 1         |
| 4     | 11402039     | 针杆                  | Needle bar                           | 1         |
| 5     | 10102021     | 针杆(厚料)              | Needle bar (H)                       | 1         |
| 6     | 10138002     | 针杆连接柱               | Needle bar connecting rod            | 1         |
| 7     | 101511005    | 螺钉SM9/64"x40 L=6    | Screw SM9/64"x40 L=6                 | 1         |
| 8     | 10103010     | 针杆下衬套               | Needle bar bushing lower             | 1         |
| 9     | 11303023     | 针杆下衬套(厚料)           | Needle bar bushing lower (H)         | 1         |
| 10    | 10113002     | 针杆线勾                | Needle bar thread guide              | 1         |
| 11    | 11412063     | 针杆线勾(厚料)            | Needle bar thread guide (H)          | 1         |
| 12    | 10117001     | 机针DBx1 #14          | Needle DBx1 #14                      | 1         |
| 13    | 10117002     | 机针DPx5 #21(厚料)      | Needle DPx5 #21 (H)                  | 1         |
| 14    | 10413001     | 针杆下衬套线勾             | Lower bushing thread guide           | 1         |
| 15    | 10113009     | 针杆下衬套线勾(厚料)         | Lower bushing thread guide (H)       | 1         |
| 16    | 104511006    | 螺钉SM1/8"x44 L=4.5   | Screw SM1/8"x44 L=4.5                | 1         |
| 17    | 10109001     | 针杆连接柱滑块             | Slide block                          | 1         |
| 18    | 101511008    | 螺钉SM11/64"x40 L=8   | Screw SM11/64"x40 L=8                | 2         |
| 19    | 10109002     | 针杆接头滑块导轨            | Needle bar guide                     | 1         |
| 20    | 10425004     | 上轴伞齿轮               | Upper shaft bevel gear               | 1         |
| 21    | 10425003     | 竖轴上伞齿轮              | Upper small bevel gear asm           | 1         |
| 22    | 10425002     | 竖轴下伞齿轮              | lower large bevel gear asm           | 1         |
| 23    | 101515014    | 螺钉SM1/4"x40 L=7     | Screw SM1/4"x40 L=7                  | 2         |
| 24    | 10425001     | 下轴伞齿轮               | Hook drive shaft bevel gear          | 1         |
| 25    | 101515014    | 螺钉SM1/4"x40 L=7     | Screw SM1/4"x40 L=7                  | 2         |
| 26    | 101515014    | 螺钉SM1/4"x40 L=7     | Screw SM1/4"x40 L=7                  | 2         |
| 27    | 101515014    | 螺钉SM1/4"x40 L=7     | Screw SM1/4"x40 L=7                  | 2         |
| 28    | 113511036    | 螺钉SM15/64"x28 L=4.7 | Screw SM15/64"x28 L=4.7              | 1         |
| 29    | 10403020     | 竖轴上轴套               | Upright shaft bushing upper          | 1         |
| 30    | 10102007     | 竖轴                  | Upright shaft                        | 1         |
| 31    | 10403013     | 竖轴下轴套               | Upright shaft bushing lower          | 1         |
| 32    | 10403019     | 下轴后轴套               | Hook driving shaft bushing back      | 1         |
| 33    | 10108002     | 下轴轴圈                | Hook driving shaft snap ring         | 1         |
| 34    | 11303021     | 下轴中套                | Lower shaft middle bushing           | 1         |
| 35    | 13802303     | 下轴                  | Hook driving shaft                   | 1         |
| 36    | 11304003     | 下轴(厚料)              | Hook driving shaft (H)               | 1         |
| 37    | 13803320     | 下轴前轴套               | Hook driving shaft bushing front     | 1         |
| 38    | 11303001     | 下轴前轴套(厚料)           | Hook driving shaft bushing front (H) | 1         |
| 39    | 13823001     | 下轴限油芯               | Oil wick                             | 1         |
| 40    | 101530005    | 下轴限油螺钉              | set screw                            | 1         |
| 41    | 11418007     | 精品旋梭(国产)            | Hook asm (China)                     | 1         |
| 42    | 11418002     | 德盛有尾厚料旋梭(方德款)       | Hook asm (China Desheng) (H)         | 1         |
| 43    | 13618003     | 旋梭(-L)              | Hook asm (-L)                        | 1         |
| 44    | 10118003     | 梭心                  | Bobbin                               | 1         |
| 45    | 10818501     | 梭心(-L)              | Bobbin (-L)                          | 1         |
| 46    | 11218504     | 梭壳                  | Bobbin case asm                      | 1         |
| 47    | 13618001     | 梭壳(-L)              | Bobbin case asm (-L)                 | 1         |
| 48    | 10112016     | 旋梭定位钩               | Finger postioner                     | 1         |
| 49    | 10112032     | 旋梭定位钩(厚料)           | Finger postioner (H)                 | 1         |
| 50    | 116511005    | 螺钉SM11/64"x40 L=13  | Screw SM11/64"x40 L=13               | 1         |
| 51    | 101511012    | 螺钉SM11/64"x40 L=4.8 | Screw SM11/64"x40 L=4.8              | 2         |
| 52    | 113514020    | 螺钉SM11/64"x40 L=6   | Screw SM11/64"x40 L=6                | 1         |

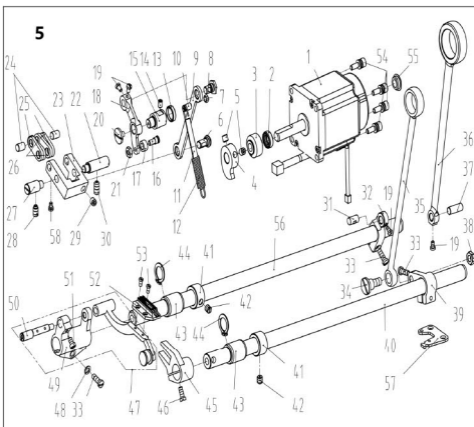


### 4. 压料、自动抬压脚部件/Presser Bar & Auto Lifter Components (1)

| 序号 NO | 公司件号 Part NO | 名称 PartName          | 零件描述 Description                 | 数量 Number |
|-------|--------------|----------------------|----------------------------------|-----------|
| 1     | 101511010    | 螺钉SM9/64"x40 L=11    | Screw SM9/64"x40 L=11            | 1         |
| 2     | 10128002     | 压脚扳手螺钉垫圈             | Washer                           | 1         |
| 3     | 13811029     | 压脚扳手                 | Hand lifter                      | 1         |
| 4     | O01004       | O型圈                  | Rubber ring                      | 1         |
| 5     | 1011000200   | 压脚扳手凸轮分部件            | Hand lifter cam asm.             | 1         |
| 6     | 101520001    | 前杠杆螺钉                | Screw                            | 2         |
| 7     | 10128015     | 螺钉橡胶垫圈(厚)            | Washer                           | 2         |
| 8     | 1011201100   | 抬压脚前杠杆分部件            | Lift front lever component       | 1         |
| 9     | 10112013     | 抬压脚拉杆                | Knee lifter pull rod             | 1         |
| 10    | H05003       | 开口垫圈 5               | Snap ring 5                      | 2         |
| 11    | 11329020     | 开口垫圈 5               | Snap ring 5                      | 5         |
| 12    | 10112010     | 压脚升降板                | Lifting plate                    | 1         |
| 13    | 101520004    | 抬压脚拉杆螺钉SM3/16"x32    | Hinge Screw SM3/16"x32           | 1         |
| 14    | 101520003    | 后杠杆轴位螺钉SM15/64"x28   | Hinge screw SM15/64"x28          | 1         |
| 15    | 144520003    | 抬压脚顶杠杆轴位螺钉SM3/16"x32 | Hinge Screw SM3/16"x32           | 1         |
| 16    | 115412002    | 抬压脚后杠杆               | Knee lifter back lever           | 1         |
| 17    | 115412003    | 抬压脚顶杆                | Knee lifter connecting rod       | 1         |
| 18    | 11212009     | 松线导管上支架              | Wire release bracket upper       | 1         |
| 19    | 101511004    | 螺钉SM3/16"x28 L=7     | Screw SM3/16"x28 L=7             | 1         |
| 20    | 11212008     | 松线导管压板               | Wire release press plate         | 1         |
| 21    | 113511004    | 螺钉M4 L=8             | Screw M4 L=8                     | 1         |
| 22    | 11427009     | 松线顶板复位簧              | Reset spring                     | 1         |
| 23    | 1011200100   | 抬压脚前杠杆组件             | Knee lifter lever asm            | 1         |
| 24    | 1141206000   | 松线顶板组件               | Wire release plate asm           | 1         |
| 25    | 101520002    | 松线顶板螺钉               | Wire release plate pin           | 1         |
| 26    | 10128015     | 螺钉橡胶垫圈(厚)            | Washer                           | 1         |
| 27    | 10126003     | 松线轴钉                 | Thread release supporting pin    | 1         |
| 28    | H05012       | 开口垫圈 4               | Snap ring 4                      | 1         |
| 29    | 10128001     | 松线轴钉垫片               | washer                           | 1         |
| 30    | 10127003     | 松线轴钉弹簧               | Spring                           | 1         |
| 31    | 10112022     | 旋梭供油管压板              | Tube press plate                 | 1         |
| 32    | 113511004    | 螺钉M4 L=8             | Screw M4 L=8                     | 1         |
| 33    | 11212008     | 松线导管压板               | Wire presser                     | 1         |
| 34    | 11312001     | 松线导管下支架              | Wire release bracket lower       | 1         |
| 35    | W02004       | 弹性垫圈                 | Spring washer                    | 1         |
| 36    | 116530003    | 螺钉SM15/64"x28 L=14.5 | Screw SM15/64"x28 L=14.5         | 1         |
| 37    | 113512001    | 螺母SM3/16"x32         | Nut SM3/16"x32                   | 2         |
| 38    | 11381101800  | 调压螺钉组件               | Presser regulating screw nut asm | 1         |
| 39    | 1138NS30003  | 调压螺钉(厚料)             | Press regulating screw (H)       | 1         |
| 40    | 1138NS16005  | 调压螺母(厚料)             | Press regulating nut (H)         | 1         |
| 41    | 10102003     | 调压导杆                 | Press regulating guide bar       | 1         |
| 42    | 113827010    | 调压簧                  | Press regulating spring          | 1         |
| 43    | 10127024     | 调压簧(厚料)              | Press regulating spring (H)      | 1         |
| 44    | 13809030     | 压杆导架                 | Presser bar guide bracket        | 1         |

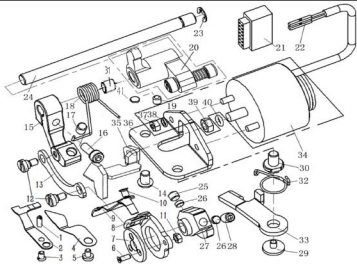
#### 4. 压料、自动抬压脚部件/Presser Bar & Auto Lifter Components (2)

|    |            |                      |                           |   |
|----|------------|----------------------|---------------------------|---|
| 44 | 101515007  | 螺钉SM15/64"x28 L=14.5 | Screw SM15/64"x28 L=14.5  | 1 |
| 45 | 10122112   | 压杆防油套                | Pressure bar oil cover    | 1 |
| 46 | 10103012   | 压杆衬套                 | Presser bar bushing,lower | 1 |
| 47 | 10102004   | 压杆                   | Presser bar               | 1 |
| 48 | 101511009  | 螺钉 SM9/64"x40 L=10.5 | Screw SM9/64"x40 L=10.5   | 1 |
| 49 | 1131600600 | 压脚组件                 | Presser foot asm          | 1 |
|    | 1131600300 | 压脚组件(厚料)             | Presser foot asm (H)      | 1 |



#### 5. 送料部件/Feed Mechanism Components

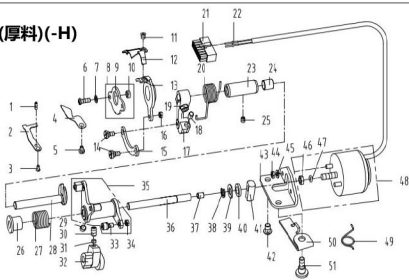
| 序号 NO | 公司件号 Part NO | 名称 PartName          | 零件描述 Description               | 数量 Number |
|-------|--------------|----------------------|--------------------------------|-----------|
| 1     | 115033006    | 步进电机                 | Stepper motor                  | 1         |
| 2     | 114922002    | 步进电机轴套油封Φ10×Φ16×5    | Stepper motor bushing oil seal | 1         |
| 3     | 114903001    | 步进电机轴套               | Stepper motor bushing          | 1         |
| 4     | 115410001    | 针距凸轮                 | Needle pitch cam               | 1         |
| 5     | S10028       | 螺钉M5 L=6(进口)         | Screw M5 L=6                   | 2         |
| 6     | 114926001    | 针距曲柄销                | Needle gage crank pin          | 1         |
| 7     | 114516004    | 螺母SM11/64"x40        | Nut SM11/64"x40                | 1         |
| 8     | 115426001    | 针距曲柄销                | Needle gage crank pin          | 1         |
| 9     | 115405001    | 针距调节连杆               | Needle pitch adjusting link    | 1         |
| 10    | 114530007    | 弹簧悬置螺钉               | Spring mounting screw          | 1         |
| 11    | 115421002    | 油管                   | Tubing                         | 1         |
| 12    | 115427001    | 针距复位簧                | Pitch reset spring             | 1         |
| 13    | 20628023     | 防油塞                  | Oil proof plug                 | 1         |
| 14    | 138508006    | 螺钉SM3/16"x28 L=7     | Screw SM3/16"x28 L=7           | 1         |
| 15    | 115426003    | 针距曲柄支撑销              | Pitch crank support pin        | 1         |
| 16    | 136520003    | 滚轮螺钉                 | Roller screw                   | 1         |
| 17    | 13609002     | 滚轮                   | Roller                         | 1         |
| 18    | 115404003    | 针距曲柄                 | Needle gage crank pin          | 1         |
| 19    | 101511005    | 螺钉SM9/64"x40 L=6     | Screw SM9/64"x40 L=6           | 4         |
| 20    | 101511023    | 送料调节器轴端螺钉            | Feed regulator shaft end screw | 1         |
| 21    | 136517005    | 滚轮螺母                 | Roller nut                     | 1         |
| 22    | 10126010     | 送料摆动板座右销             | Right pin                      | 1         |
| 23    | 114901001    | 送料摆动板座               | Feed shaking plate             | 1         |
|       | 114901004    | 送料摆动板座(-7)           | Feed shaking plate(-7)         | 1         |
| 24    | 10126007     | 短摆动板连杆销              | Connecting pin                 | 2         |
|       | 10109005     | 送料短摆动板               | Feed short shaking plate       | 2         |
| 25    | 13809007     | 送料短摆动板(厚料)           | Feed short shaking plate (H)   | 2         |
|       | 11412022     | 送料短摆动板(-7)           | Feed short shaking plate (-7)  | 2         |
| 26    | 10109004     | 送料长摆动板               | Feed long shaking plate        | 2         |
|       | 13809008     | 送料长摆动板(厚料, -7)       | Feed long shaking plate(H, -7) | 2         |
| 27    | 10126009     | 送料摆动板座右销             | Left pin                       | 1         |
| 28    | 101515010    | 螺钉SM15/64"x28 L=10.5 | Screw SM15/64"x28 L=10.5       | 1         |
| 29    | 101514001    | 螺钉SM1/4"x40 L=6      | Screw SM1/4"x40 L=6            | 1         |
| 30    | 113514010    | 螺钉SM15/64"x28 L=12   | Screw SM15/64"x28 L=12         | 1         |
| 31    | 10126011     | 送料曲柄销                | Feed rocker crank pin          | 1         |
| 32    | 10104002     | 送料曲柄                 | Feed rocker shaft crank        | 1         |
|       | 11304010     | 送料曲柄(-7)             | Feed rocker shaft crank (-7)   | 1         |
| 33    | 101511016    | 螺钉SM3/16"x28 L=14    | Screw SM3/16"x28 L=14          | 3         |
| 34    | 101520005    | 拾牙连杆轴位螺钉SM9/32"x28   | Hinge Screw SM9/32"x28         | 1         |
| 35    | 115405003    | 拾牙连杆                 | Connecting rod                 | 1         |
| 36    | 115405002    | 送料连杆                 | Rocker shaft connecting rod    | 1         |
| 37    | 10126006     | 送料连杆销                | Connecting rod pin             | 1         |
| 38    | 101516003    | 拾牙连杆轴位螺母 SM9/32"x28  | Hinge Screw SM9/32"x28         | 1         |
| 39    | 10104004     | 拾牙后曲柄                | Feed driving shaft crank       | 1         |
| 40    | 13802001     | 拾牙轴                  | Feed driving shaft             | 1         |
| 41    | 10108003     | 送料轴挡圈                | Feed rocker shaft snap ring    | 2         |
| 42    | 101515002    | 螺钉SM1/4"x40 L=6      | Screw SM1/4"x40 L=6            | 4         |
| 43    | 10403015     | 轴套                   | Bushing                        | 2         |
| 44    | H03001       | GB/T894.1-1986挡圈 15  | Snap ring 15                   | 2         |
| 45    | 10104003     | 拾牙叉形曲柄               | Snap ring 15                   | 1         |
|       | 10804003     | 拾牙叉形曲柄(厚料, -7)       | Driving shaft crank (H, -7)    | 1         |
| 46    | 1138N530004  | 螺钉SM11/64"x40 L=10.5 | Screw SM11/64"x40 L=10.5       | 1         |
| 47    | 11380700300  | 牙架组件                 | Feed bar asm                   | 1         |
| 48    | 10128003     | 牙架座螺钉垫圈              | Washer                         | 1         |
| 49    | 480095       | 牙架座                  | Feed bar bed                   | 1         |
| 50    | 10401007     | 牙架销(自制)              | Feed bar pin                   | 1         |
| 51    | 101511025    | 螺钉SM11/64"x40 L=7    | Screw SM11/64"x40 L=7          | 1         |
|       | 11414002     | 送料牙                  | Feed dog                       | 1         |
| 52    | 11314001     | 送料牙(厚料)              | Feed dog (H)                   | 1         |
|       | 11414001     | 送料牙(-7)              | Feed dog (-7)                  | 1         |
| 53    | 101511018    | 螺钉 SM1/8"x44 L=6     | Screw SM1/8"x44 L=6            | 2         |
| 54    | 1150N513002  | 螺钉SM3/16"x28 L=10    | Screw SM3/16"x28 L=10          | 4         |
| 55    | 10122003     | 面板调节孔衬套              | Rubber plug                    | 1         |
| 56    | 10102008     | 送料轴                  | Feed rocker shaft              | 1         |
| 57    | 13812081     | 拉簧固定板                | Spring fixing plate            | 1         |
| 58    | 101511005    | 螺钉SM9/64"x40 L=6     | Screw SM9/64"x40 L=6           | 2         |
|       | 114511015    | 螺钉SM9/64"x40 L=6(厚料) | Screw SM9/64"x40 L=6(H)        | 2         |



6. 切线装置部件 (薄料) /Thread Trimmer Components

| 序号 NO | 公司件号       | Part NO | 名称                  | PartName | 零件描述                               | Description | 数量 | Number |
|-------|------------|---------|---------------------|----------|------------------------------------|-------------|----|--------|
| 1     | 113515002  |         | 螺钉SM1/8"x44 L=9.5   |          | Screw SM1/8"x44 L=9.5              |             | 1  |        |
| 2     | 115019001  |         | 定刀                  |          | Secant knife                       |             | 1  |        |
| 3     | 113517001  |         | 螺钉SM9/64x40 L=6     |          | Screw SM9/64x40 L=6                |             | 1  |        |
| 4     | 11312003   |         | 护针片                 |          | Needle guard patch                 |             | 1  |        |
| 5     | 201511009  |         | 螺钉SM9/64"x40 L=5.5  |          | Screw SM9/64"x40 L=5.5             |             | 2  |        |
| 6     | 138517301  |         | 螺钉M3 L=8            |          | Screw M3 L=8                       |             | 3  |        |
| 7     | 13812303   |         | 刀架压板                |          | Knife bracket press                |             | 1  |        |
| 8     | 13807303   |         | 刀架                  |          | Knife bracket                      |             | 1  |        |
| 9     | 14019004   |         | 活动刀(薄料短槽)           |          | Moterial knife                     |             | 1  |        |
| 10    | 113517002  |         | 螺钉SM11/64"x40 L=4.4 |          | Screw SM11/64"x40 L=4.4            |             | 2  |        |
| 11    | 114516004  |         | 螺母SM11/64"x40       |          | Nut SM11/64"x40                    |             | 1  |        |
| 12    | 113520001  |         | 螺钉SM11/64"x40       |          | hinge Screw SM11/64"x40            |             | 2  |        |
| 13    | 13812302   |         | 连杆                  |          | Connecting rod                     |             | 1  |        |
| 14    | 101511026  |         | 螺钉SM15/64"x28 L=9   |          | Screw SM15/64"x28 L=9              |             | 1  |        |
| 15    | 13804301   |         | 切线曲柄                |          | Thread Crank                       |             | 1  |        |
| 16    | S05004     |         | 螺钉M5 L=14           |          | Screw M5 L=14                      |             | 1  |        |
| 17    | 11322001   |         | 驱动曲柄止动块             |          | Crank driver stopper block         |             | 1  |        |
| 18    | 13827304   |         | 扭簧                  |          | Spring                             |             | 1  |        |
| 19    | S09019     |         | 螺钉M5 L=5            |          | Screw M5 L=5                       |             | 2  |        |
| 20    | 1380432400 |         | 剪线驱动组件              |          | Crank asm                          |             | 1  |        |
| 21    | 11230004   |         | 14孔接线器              |          | Plug                               |             | 1  |        |
| 22    | 11230005   |         | 电线插针                |          | Pin                                |             | 1  |        |
| 23    | H05013     |         | GB/T896-1986挡圈6     |          | Snap ring 6                        |             | 1  |        |
| 24    | 13802320   |         | 切线驱动轴               |          | Tangent drive shaft                |             | 1  |        |
| 25    | 101514001  |         | 螺钉SM1/4"x40 L=8     |          | Screw SM1/4"x40 L=8                |             | 1  |        |
| 26    | 11309030   |         | 凸轮顶柱                |          | Push rod                           |             | 2  |        |
| 27    | 13810306   |         | 凸轮                  |          | Cam                                |             | 1  |        |
| 28    | 116514005  |         | 螺钉SM1/4"x40 L=10    |          | Screw SM1/4"x40 L=10               |             | 1  |        |
| 29    | 138501302  |         | 螺钉M4 L=5            |          | Screw M4 L=5                       |             | 1  |        |
| 30    | 138530301  |         | 松线座螺钉               |          | Screw                              |             | 1  |        |
| 31    | 113803003  |         | 切线曲柄定位套             |          | Bushing                            |             | 1  |        |
| 32    | 13827303   |         | 松线扭簧                |          | Loose wire torsion spring          |             | 1  |        |
| 33    | 13812304   |         | 松线板                 |          | Thread release bed                 |             | 1  |        |
| 34    | 1023000100 |         | 剪线电磁铁组件             |          | Thread trimmer solenoid asm        |             | 1  |        |
| 35    | 13812370   |         | 剪线电磁铁推板             |          | Thread trimmer solenoid push plate |             | 1  |        |
| 36    | 11312006   |         | 切线磁铁支架              |          | Solenoid bracket                   |             | 1  |        |
| 37    | N01005     |         | 螺母 M4               |          | Nut M4                             |             | 2  |        |
| 38    | W02002     |         | GB/T93-1987弹黄垫圈4    |          | Washer 4                           |             | 2  |        |
| 39    | 112516006  |         | 螺母SM1/4"x40         |          | Nut SM1/4"x40                      |             | 1  |        |
| 40    | 113822005  |         | 垫圈                  |          | Washer                             |             | 1  |        |
| 41    | 113809001  |         | 垫片                  |          | Washer                             |             | 2  |        |

## 6.(厚料)(-H)



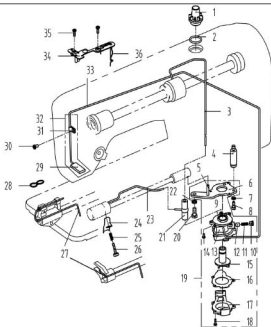
6. 切线装置部件 (厚料专用) /Thread Trimmer Components (H) (1)

| 序号NO | 公司件号        | Part NO | 名称                  | PartName | 零件描述                          | Description | 数量 | Number |
|------|-------------|---------|---------------------|----------|-------------------------------|-------------|----|--------|
| 1    | 113515002   |         | 螺钉SM1/8"x44 L=9.5   |          | Screw SM1/8"x44 L=9.5         |             | 1  |        |
| 2    | 115019001   |         | 定刀                  |          | Secant knife                  |             | 1  |        |
| 3    | 113517001   |         | 螺钉SM9/64x40 L=6     |          | Screw SM9/64x40 L=6           |             | 1  |        |
| 4    | 11312003    |         | 护针片                 |          | Needle guard patch            |             | 1  |        |
| 5    | 201511009   |         | 螺钉SM9/64"x40 L=5.5  |          | Screw SM9/64"x40 L=5.5        |             | 1  |        |
| 6    | 113511001   |         | 螺钉SM11/64"x40 L=12  |          | Screw SM11/64"x40 L=12        |             | 2  |        |
| 7    | 10128003    |         | 牙架座螺钉垫圈             |          | Washer                        |             | 2  |        |
| 8    | 1381203100  |         | 刀架压板组件              |          | Knife bracket press component |             | 1  |        |
| 9    | 13812031    |         | 刀架压板                |          | Knife bracket press           |             | 1  |        |
| 10   | 13803012    |         | 短套                  |          | Short bushing                 |             | 2  |        |
| 11   | 113517002   |         | 螺钉SM11/64"x40 L=4.4 |          | Screw SM11/64"x40 L=4.4       |             | 2  |        |
| 12   | 114119002   |         | 活动刀                 |          | Moterial knife                |             | 1  |        |
| 13   | 11307001    |         | 剪线刀架                |          | Knife bracket                 |             | 1  |        |
| 14   | 113520001   |         | 螺钉SM11/64x40 L=6.5  |          | Screw SM11/64x40 L=6.5        |             | 2  |        |
| 15   | 11312005    |         | 连杆                  |          | Connecting rod                |             | 1  |        |
| 16   | 114516004   |         | 螺母SM11/64"x40       |          | Nut SM11/64"x40               |             | 1  |        |
| 17   | 11304001    |         | 曲柄                  |          | Crank                         |             | 1  |        |
| 18   | 113822014   |         | 驱动曲柄止动块             |          | Crank driver stopper block    |             | 1  |        |
| 19   | S05004      |         | 螺钉M5 L=14           |          | Screw M5 L=14                 |             | 1  |        |
| 20   | 11327001    |         | 弹簧                  |          | Spring                        |             | 1  |        |
| 21   | 11230004    |         | 14孔接线器              |          | Plug                          |             | 1  |        |
| 22   | 11230005    |         | 电线插针                |          | Pin                           |             | 1  |        |
| 23   | 11303003    |         | 切线轴套                |          | Thread cutting shaft bushing  |             | 1  |        |
| 24   | 11503005    |         | 驱动曲柄轴衬套             |          | Crank drive shaft bushing     |             | 1  |        |
| 25   | 113514020   |         | 螺钉SM11/64"x40 L=6   |          | Screw SM11/64"x40 L=6         |             | 1  |        |
| 26   | 11322002    |         | 扭簧盖                 |          | Spring cover                  |             | 1  |        |
| 27   | 11327002    |         | 弹簧                  |          | Spring                        |             | 1  |        |
| 28   | 11304002    |         | 切线凸轮曲柄轴             |          | Crank shaft                   |             | 1  |        |
| 29   | 101514001   |         | 螺钉SM1/4"x40 L=6     |          | Screw SM1/4"x40 L=6           |             | 1  |        |
| 30   | 116514005   |         | 螺钉SM1/4"x40 L=10    |          | Screw SM1/4"x40 L=10          |             | 2  |        |
| 31   | 11309030    |         | 凸轮顶柱                |          | Push rod                      |             | 2  |        |
| 32   | 11310011    |         | 凸轮(厚料)              |          | Cam (H)                       |             | 1  |        |
| 33   | 11324001    |         | 滚柱                  |          | Rolling pin                   |             | 1  |        |
| 34   | 1138N516007 |         | 螺母SM11/64"x40       |          | Nut SM11/64"x40               |             | 1  |        |

## 6. 切线装置部件 (厚料专用) /Thread Trimmer Components (H) (2)

| 序号NO | 公司件号       | Part NO | 名称                | PartName | 零件描述                         | Description | 数量 | Number |
|------|------------|---------|-------------------|----------|------------------------------|-------------|----|--------|
| 35   | 1130400500 |         | 剪线驱动组件            |          | Thread trimmer drive asm     |             | 1  |        |
| 36   | 11302002   |         | 轴                 |          | Shaft                        |             | 1  |        |
| 37   | 11322001   |         | 驱动曲柄止动块           |          | Positioning block            |             | 1  |        |
| 38   | H05013     |         | GB/T896-1986挡圈6   |          | Snap ring 6                  |             | 1  |        |
| 39   | 10112003   |         | 针杆曲柄护板            |          | Cunter weight protecting     |             | 1  |        |
| 40   | 11322003   |         | 电磁铁缓冲垫            |          | Solenoid cushion rubber      |             | 1  |        |
| 41   | 11309001   |         | 切线电磁铁顶销           |          | Solenoid pin                 |             | 1  |        |
| 42   | 101511026  |         | 螺钉SM15/64"x28 L=9 |          | Screw SM15/64"x28 L=9        |             | 1  |        |
| 43   | 11312006   |         | 切线磁铁支架            |          | Solenoid bracket             |             | 1  |        |
| 44   | N01005     |         | 螺母 M4             |          | Nut M4                       |             | 2  |        |
| 45   | W02018     |         | GB/T93-1987弹垫垫圈4  |          | Washer 4                     |             | 2  |        |
| 46   | 112516006  |         | 螺母SM1/4"x40       |          | Nut SM1/4"x40                |             | 1  |        |
| 47   | 113822005  |         | 垫圈                |          | Washer                       |             | 1  |        |
| 48   | 1023000100 |         | 剪线电磁铁组件           |          | Thread trimmer solenoid asm. |             | 1  |        |
| 49   | 11327003   |         | 弹簧                |          | Spring                       |             | 1  |        |
| 50   | 11312007   |         | 松线座               |          | Thread release bed           |             | 1  |        |
| 51   | 113520002  |         | 螺钉SM1/4"x28 L=13  |          | Screw SM1/4"x28 L=13         |             | 1  |        |

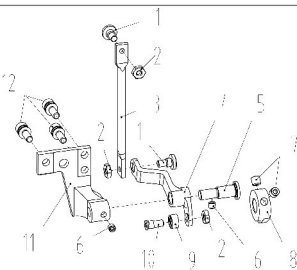
## 7



## 7. 润滑部件/Oil Lubrication Components

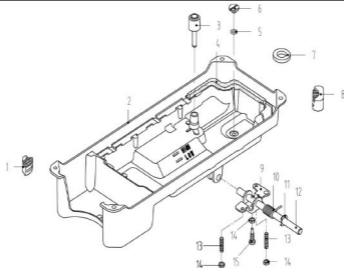
| 序号 NO | 公司件号        | Part NO | 名称                   | PartName | 零件描述                           | Description | 数量 | Number |
|-------|-------------|---------|----------------------|----------|--------------------------------|-------------|----|--------|
| 1     | 10111004    |         | 油窗                   |          | Oil sight window               |             | 1  |        |
| 2     | 10122019    |         | 油窗O形圈                |          | Rubber ring                    |             | 1  |        |
| 3     | 14121001    |         | 上轴供油管                |          | Main shaft oil tube            |             | 1  |        |
| 4     | 101530008   |         | 油泵连接螺柱               |          | Oil pump connecting stud       |             | 1  |        |
| 5     | 10121001    |         | 供油管                  |          | Hook oil tube                  |             | 1  |        |
| 6     | 10112020    |         | 油泵安装板                |          | Oil pump installing base       |             | 1  |        |
| 7     | W03002      |         | 弹簧垫圈 5               |          | Spring washer 5                |             | 1  |        |
| 8     | 209512001   |         | 螺钉SM11/64"x40 L=10.5 |          | Screw SM11/64"x40 L=10.5       |             | 1  |        |
| 9     | 10103022    |         | 油泵体衬套                |          | Oil pump bushing               |             | 1  |        |
| 10    | 101530007   |         | 柱塞螺钉                 |          | Plunger Screw                  |             | 1  |        |
| 11    | 10127013    |         | 柱塞簧                  |          | Plunger spring                 |             | 1  |        |
| 12    | 10122018    |         | 回油柱塞                 |          | Plunger                        |             | 1  |        |
| 13    | 10120001    |         | 油泵体                  |          | Oil pump                       |             | 1  |        |
| 14    | S04093      |         | 油泵螺钉M3 L=6           |          | Screw M3 L=6                   |             | 3  |        |
| 15    | 10111003    |         | 油泵叶轮                 |          | Oil pump impeller              |             | 1  |        |
| 16    | 10112021    |         | 油泵叶轮托板               |          | Oil pump impeller cover        |             | 1  |        |
| 17    | 10111007    |         | 油泵盖                  |          | Lubricating oil pump cover     |             | 1  |        |
| 18    | 101530006   |         | 螺钉ST2.9 L=10         |          | Screw ST2.9 L=10               |             | 3  |        |
| 19    | 1012000100  |         | 油泵分部件                |          | Lubricating oil pump component |             | 1  |        |
| 20    | 116530003   |         | 螺钉SM15/64"x28 L=14.5 |          | Screw SM15/64"x28 L=14.5       |             | 1  |        |
| 21    | 10136001    |         | 供油管接头                |          | Rubber joint                   |             | 1  |        |
| 22    | W02004      |         | GB/T93-1987弹垫M6      |          | Spring Washer M6               |             | 1  |        |
| 23    | 13821303    |         | 下轴供油管                |          | Hook oil tube                  |             | 1  |        |
| 24    | 11321002    |         | 下轴供油管(厚料)            |          | Hook oil tube(H)               |             | 1  |        |
| 25    | 11312031    |         | 挡油罩(厚料)              |          | Oil shield cover(H)            |             | 1  |        |
| 26    | 13827014    |         | 油量调节螺钉弹簧             |          | Spring                         |             | 1  |        |
| 27    | 113530001   |         | 螺钉SM11/64"x40 L=19   |          | Screw SM11/64"x40 L=19         |             | 1  |        |
| 28    | 10423005    |         | 油线                   |          | Oil wick                       |             | 2  |        |
| 29    | 10127015    |         | 回油毡夹                 |          | Oil felt clamp                 |             | 1  |        |
| 30    | 10123006    |         | 回油毡                  |          | Oil felt                       |             | 1  |        |
| 31    | 101511004   |         | 螺钉SM3/16"x28 L=7     |          | Screw SM3/16"x28 L=7           |             | 1  |        |
| 32    | 10112023    |         | 回油管夹                 |          | Oil tube clamp                 |             | 1  |        |
| 33    | 11502100100 |         | 回油管部件                |          | Oil return tube component      |             | 1  |        |
| 34    | 115021002   |         | 回油管                  |          | Oil return tube                |             | 1  |        |
| 35    | 10112025    |         | 油线固定板                |          | Oil wick fixing plate          |             | 1  |        |
| 36    | 101511010   |         | 螺钉SM9/64"x40 L=11    |          | Screw SM9/64"x40 L=11          |             | 2  |        |
| 37    | 10123010    |         | 油线                   |          | Oil wick                       |             | 1  |        |

## 8



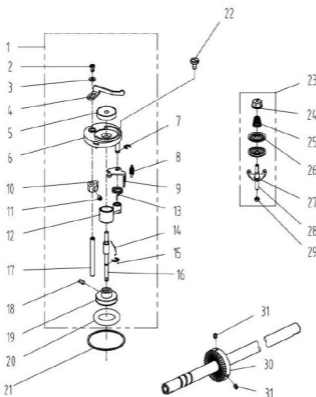
## 8. 步进抬压脚部件/Stepping Auto Lifter Components

| 序号 NO | 公司件号        | Part NO | 名称                | PartName | 零件描述                                    | Description | 数量 | Number |
|-------|-------------|---------|-------------------|----------|---|-------------|----|--------|
| 1     | 1150NS20001 |         | 抬压脚顶杆螺钉           |          | Presser foot lifter screw               |             | 2  |        |
| 2     | 136517005   |         | 滚轮螺母              |          | Roller nut                              |             | 3  |        |
| 3     | 115412001   |         | 自动抬压脚顶杆           |          | Automatic presser foot lifter           |             | 1  |        |
| 4     | 115404002   |         | 抬压脚驱动曲柄           |          | Driving crank of presser foot           |             | 1  |        |
| 5     | 115426002   |         | 抬压脚驱动曲柄销          |          | Lifting presser foot to drive crank pin |             | 1  |        |
| 6     | S10014      |         | 螺钉M5 L=4          |          | Screw M5 L=4                            |             | 2  |        |
| 7     | S10028      |         | 螺钉M5 L=6(进口)      |          | Screw M5 L=6                            |             | 2  |        |
| 8     | 115410002   |         | 抬压脚凸轮             |          | Presser foot cam                        |             | 1  |        |
| 9     | 13609002    |         | 滚轮                |          | Roller                                  |             | 1  |        |
| 10    | 136520003   |         | 滚轮螺钉              |          | Roller screw                            |             | 1  |        |
| 11    | 115401001   |         | 抬压脚曲柄支架           |          | Crank bracket for presser foot lifting  |             | 1  |        |
| 12    | 1150NS13002 |         | 螺钉SM3/16"x28 L=10 |          | Screw SM3/16"x28 L=10                   |             | 3  |        |



9. 油盘、膝抬压脚分组件/Oil Reservoir &amp; Knee Lifter Components

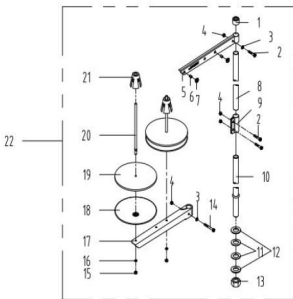
| 序号 NO | 公司件号 Part NO | 名称 PartName      | 零件描述 Description             | 数量 Number |
|-------|--------------|------------------|------------------------------|-----------|
| 1     | 10122022     | 油盘座垫             | Oil reservoir rubber cushion | 2         |
| 2     | 13801020     | 油盘               | Oil Reservoir                | 1         |
| 3     | 10111005     | 抬压脚顶杆            | Knee lifter push rod         | 1         |
| 4     | 10122020     | 油盘垫              | Oil Reservoir gasket         | 1         |
| 5     | 10122021     | O型圈              | Rubber ring                  | 1         |
| 6     | 101511028    | 螺钉SM5/16*×24 L=7 | Screw SM5/16*×24 L=7         | 1         |
| 7     | 10131001     | 油盘磁铁             | Oil reservoir magnet         | 1         |
| 8     | 10122023     | 油盘支架             | Oil reservoir rubber cushion | 2         |
| 9     | 10112027     | 抬压脚双向曲柄          | Knee lifter crank            | 1         |
| 10    | 10127016     | 双向曲柄扭簧           | Knee lifter spring           | 1         |
| 11    | H05010       | GB/T896-1986挡圈9  | Snap ring 9                  | 1         |
| 12    | 10102011     | 抬压脚轴             | Knee lifter shaft            | 1         |
| 13    | 101515012    | 螺钉M6 L=30        | Screw M6 L=30                | 2         |
| 14    | 101516004    | 螺母M6 L=4         | Nut M6 L=4                   | 3         |
| 15    | 101512002    | 螺钉M6 L=26        | Screw M6 L=26                | 1         |



10. 绕线部件/ Winding Components

| 序号 NO | 公司件号 Part NO  | 名称 PartName       | 零件描述 Description             | 数量 Number |
|-------|---------------|-------------------|------------------------------|-----------|
| 1     | 1383103900    | 绕线器组件             | Bobbin winder asm            | 1         |
| 2     | 114511008     | 螺钉M4 L=6          | Screw M4 L=6                 | 1         |
| 3     | W01142        | 垫圈4               | Washer 4                     | 1         |
| 4     | 10113030      | 压线控制板             | Thread press control plate   | 1         |
| 5     | 10111120      | 绕线衬垫              | Winding pad                  | 1         |
| 6     | 13831101      | 绕线器装置底座           | Bobbin winder bed            | 1         |
| 7     | H05006        | 开口挡圈5             | Snap ring 5                  | 1         |
| 8     | 10127061      | 复位扭簧              | Spring                       | 1         |
| 9     | 13812110      | 调节板               | Regulating plate             | 1         |
| 10    | 10110030      | 绕线凸轮              | Bobbin winder cam            | 1         |
| 11    | S09045        | 螺钉M5 L=5          | Screw M5 L=5                 | 1         |
| 12    | 1380510600    | 绕线器连杆组件           | Bobbin winder connecting rod | 1         |
| 13    | 13827103      | 满位扭簧              | Spring                       | 1         |
| 14    | 10127060      | 弹簧                | Spring                       | 1         |
| 15    | GB/T 896-1986 | 开口挡圈4             | Snap ring 4                  | 1         |
| 16    | 13802111      | 绕线器主轴             | Bobbin winder main shaft     | 1         |
| 17    | 13802026      | 绕线凸轮轴             | Bobbin winder cam shaft      | 1         |
| 18    | S09103        | 绕线轮螺钉M4 L=4       | Screw M4 L=4                 | 2         |
| 19    | 13831102      | 绕线轮               | Bobbin winder wheel          | 1         |
| 20    | O01110        | O型圈               | Ring                         | 1         |
| 21    | 11422062      | 密封垫               | Washer                       | 1         |
| 22    | 114511003     | 螺钉SM3/16*×28 L=10 | Screw SM3/16*×28 L=10        | 3         |
| 23    | 1411300600    | 绕线夹线器             | Bobbin thread tension asm    | 1         |
| 24    | 141516019     | 夹线螺母              | Thread tension nut           | 1         |
| 25    | 11427006      | 小夹线弹簧             | Spring                       | 1         |
| 26    | 14112015      | 夹线板               | Thread tension disk          | 2         |
| 27    | 11413022      | 夹线过线板             | Thread tension guide plate   | 1         |
| 28    | 112513004     | 夹线螺钉              | Screw                        | 1         |
| 29    | 114516001     | 螺母SM11/64*×40     | Nut SM11/64*×40              | 1         |
| 30    | 11435013      | 绕线器驱动轮            | Driving wheel                | 1         |
| 31    | S10009        | 螺钉M6 L=8          | Screw M6 L=8                 | 2         |

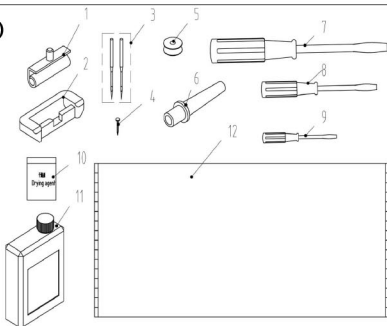
# 11(1)



11. 机头附件(1)-线架组件/Machine Head Accessories (1)-Thread Stand Components

| 序号 NO | 公司件号 Part NO | 名称 PartName | 零件描述 Description                     | 数量 Number |
|-------|--------------|-------------|--------------------------------------|-----------|
| 1     | 20131019     | 线架杆顶防护橡皮    | Spool rest rod rubber cap            | 1         |
| 2     | S04050       | 螺栓M5 L=16   | Screw M5 L=16                        | 3         |
| 3     | W01047       | 垫圈M5        | Washer M5                            | 2         |
| 4     | N01034       | 螺母M5        | Nut M5                               | 4         |
| 5     | 13831022     | 上线架过线杆      | Spool rest arm upper                 | 1         |
| 6     | 10113011     | 过线圈(内)      | Thread guide ring                    | 2         |
| 7     | 10113010     | 过线圈(外)      | Thread guide ring                    | 2         |
| 8     | 13831019     | 线架杆上节       | Spool rest rod upper                 | 1         |
| 9     | 13831021     | 线架杆接头       | Spool rest rod joint                 | 1         |
| 10    | 13831020     | 线架杆下节       | Spool rest rod lower                 | 1         |
| 11    | 10122106     | 橡胶垫圈        | Spool rest rod rubber ring           | 2         |
| 12    | W01052       | 垫圈M16       | Washer M16                           | 2         |
| 13    | N02008       | 螺母 M16      | Spool rest rod nut M16               | 1         |
| 14    | S04051       | 螺栓M5 L=31.6 | Spool rest arm lower screw M5 L=31.6 | 1         |
| 15    | N01034       | 螺母M5        | Nut M5                               | 2         |
| 16    | W03002       | 弹簧垫圈 5      | Spring washer 5                      | 2         |
| 17    | 13831023     | 下线架过线杆      | Spool rest arm lower                 | 1         |
| 18    | 13831024     | 线盘          | Spool rest                           | 2         |
| 19    | 20131010     | 线盘垫         | Spool rest cushion                   | 2         |
| 20    | 20131006     | 线盘钉         | Spool pin                            | 2         |
| 21    | 13831025     | 线团防松垫       | Spool retainer                       | 2         |
| 22    | 1383100300   | 线架组件        | Thread stand asm.                    | 1         |

# 11(2)



11. 机头附件(2)/Machine Head Accessories (2)

| 序号 NO | 公司件号 Part NO | 名称 PartName    | 零件描述 Description               | 数量 Number |
|-------|--------------|----------------|--------------------------------|-----------|
| 1     | 1011203100   | 机头连接钩组件        | Hinge component                | 2         |
| 2     | 10122060     | 机头连接钩座         | Head connecting rubber cushion | 2         |
| 3     | 10117012     | 国产机针#14        | Needle #14                     | 10        |
| 4     | 10117002     | 机针DPx5 #21(厚料) | Needle DPx5 #21 (H)            | 4         |
| 4     | 101530010    | 机头连接钩座钉P19     | Nail P19                       | 6         |
| 5     | 10118003     | 梭心             | Bobbin                         | 1         |
| 5     | 10818501     | 大梭心(-L)        | Big Bobbin (-L)                | 1         |
| 6     | 115011003    | 机头支柱           | Machine head rest pin          | 1         |
| 7     | 20731047     | 螺丝刀(大)         | Screw driver (large)           | 1         |
| 8     | 10131003     | 螺丝刀(中)         | Screw driver (medium)          | 1         |
| 9     | 10131004     | 螺丝刀(小)         | Screw driver (small)           | 1         |
| 10    | 113831011    | 干燥剂(25g)       | Drying agent(25g)              | 1         |
| 11    | 1381101200   | 油壶组件           | Oiler component                | 1         |
| 12    | 114131001    | 防尘罩            | Dust cover                     | 1         |

## 杰克缝纫机股份有限公司

杰克缝纫机  
全球销量遥遥领先

公司地址(Address of Company):  
中国浙江省台州市椒江区三甲东路大道东段1008号  
NO.1008, DONGHAI AVENUE EAST, JIAOJIANG DISTRICT,TAIZHOU CITY, ZHEJIANG  
邮编( Zip Code ): 318000  
国内销售部(Domestic Trade Department):  
电话(TEL): 0086-0576-88177788 88177789  
传真(FAX): 0086-0576-88177758  
国际销售部(International Trade Department):  
电话(TEL): 0086-0576-88177782 88177774  
传真(FAX): 0086-0576-88177787  
服务热线: 400-8876858  
<http://www.chinajack.com>



请扫描下方二维码

资料如有更改, 恕不另行通知, 以实物为准。  
You will be not informed if the file has been revised.Please set sample as standard.  
日期: 2021.05.13